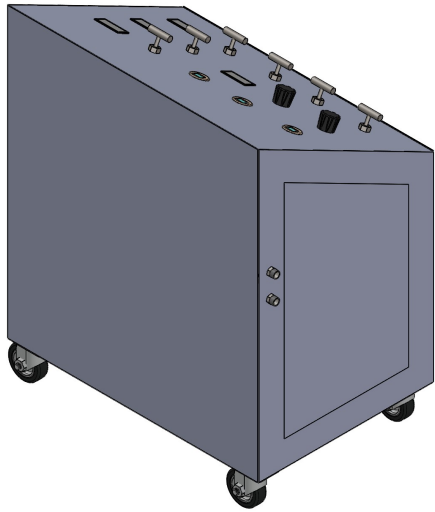
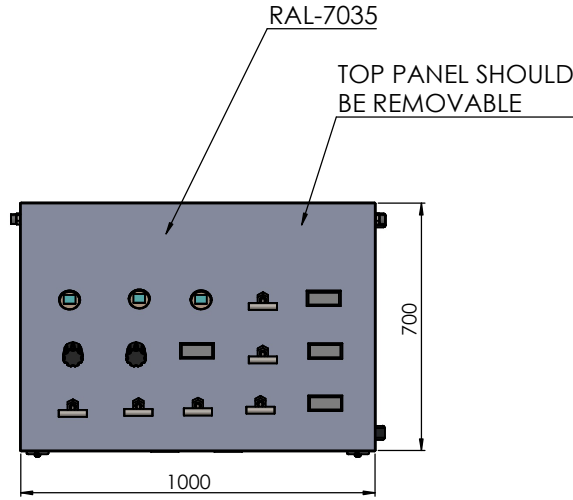


THIS DWG. IS SOLE PROPERTY OF PASKALS FLUID SYSTEMS PVT. LTD. UNAUTHORISED USE OF THIS DWG. OR MAKING PRODUCT AS PER THIS DWG. WITHOUT OUR PERMISSION OR ANY OTHER MISUSE IS NOT PERMITTED.



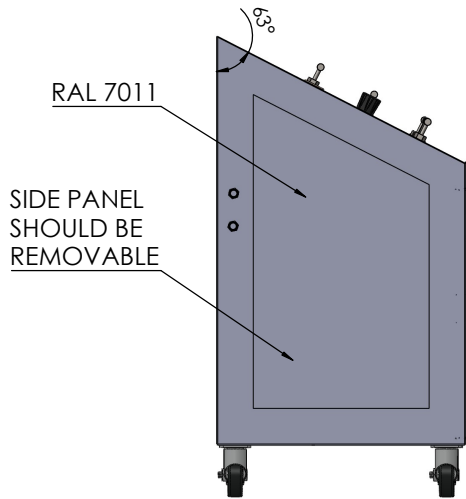
BACK ISOMETRIC VIEW



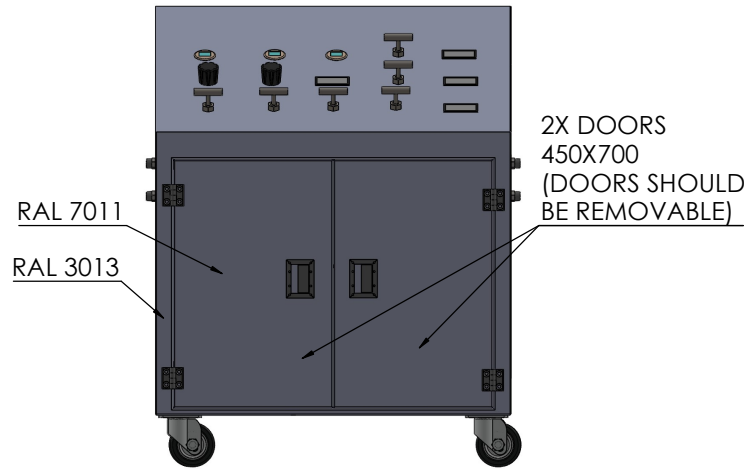
TOP VIEW



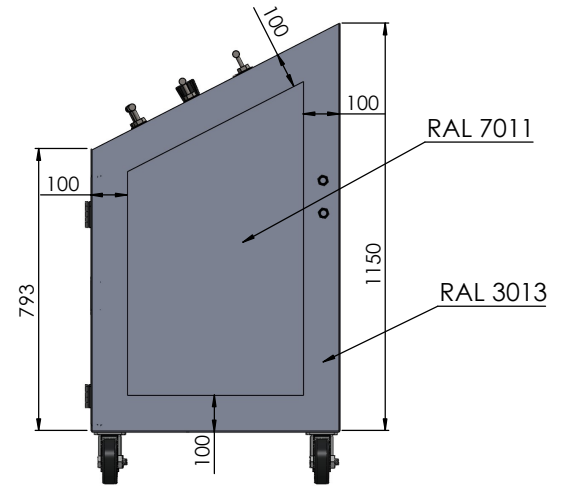
ISOMETRIC VIEW



LEFT SIDE VIEW



FRONT VIEW



RIGHT SIDE VIEW

NOTE :- CUTOUT FOR TOP PANEL WILL BE PROVIDED LATER.

PASKALS Fluid Systems		PASKALS FLUID SYSTEMS PVT. LTD E-148, Sector - 63, NOIDA, UP-201301 OFFICE: Phone: +91-1204500800 Fax: +91-1204500888 Mob: +917777876876 Email: hdg@paskals.com	
TITLE	OXYGEN EQUIPMENT TEST RIG	QA No.	
SUB-TITLE	GADWG-OXYGEN EQUIPMENT TEST RIG	Cross Ref Doc No.:	
SRS CODE	P3121	Customer Oeq Ref No.	
CUSTOMER	AIESL	NOTE:	
END USER	--		
TD/PO. No.	--		
PROJECTION	DRWN	ALOK	14/08/2023
CHK.	R.S.	14/08/2023	SIZE SCALE SHEET
APPR.	S.S.	14/08/2023	A3 NTS 01 01
			NEO DWG No.
			T-DAP-P3121-GADWG-OLETR
			REV
			01